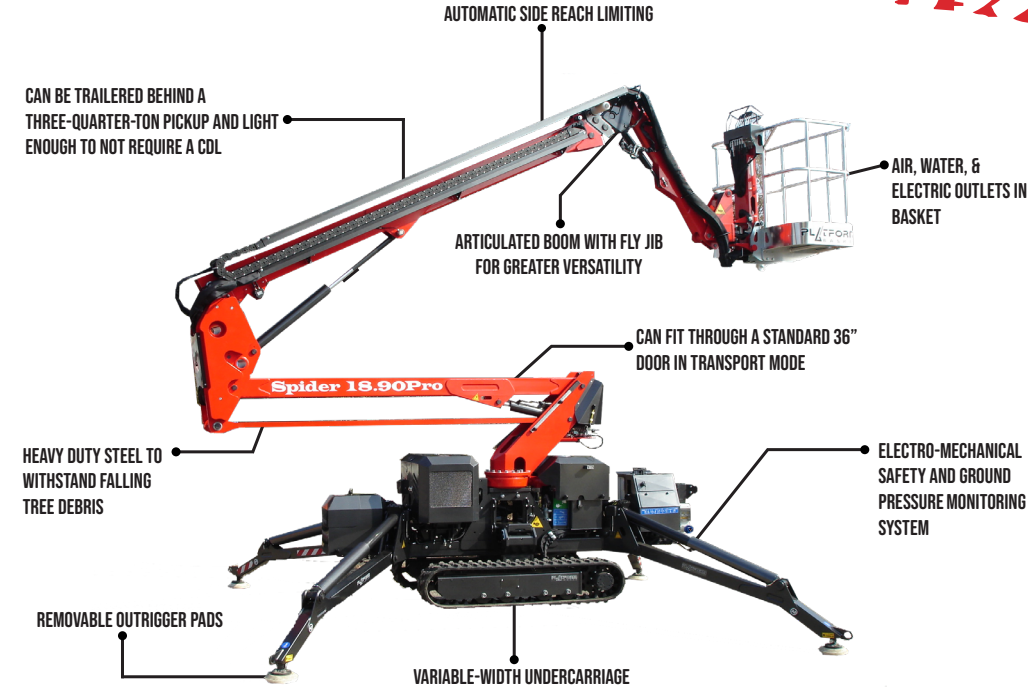


# PLATFORM BASKET 18.90

## 60' WORKING HEIGHT

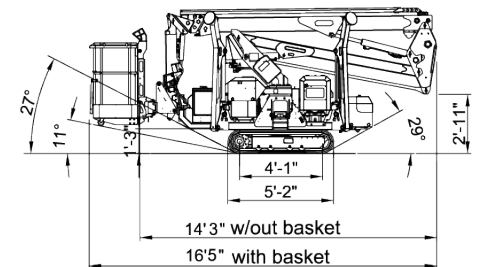
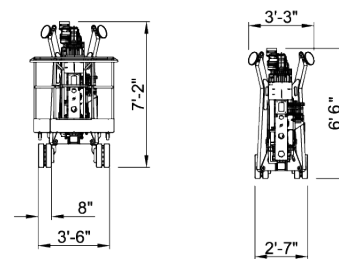
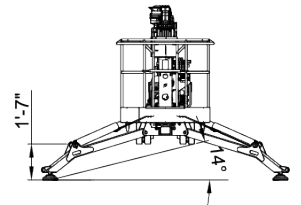
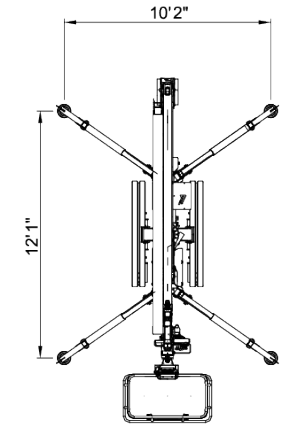
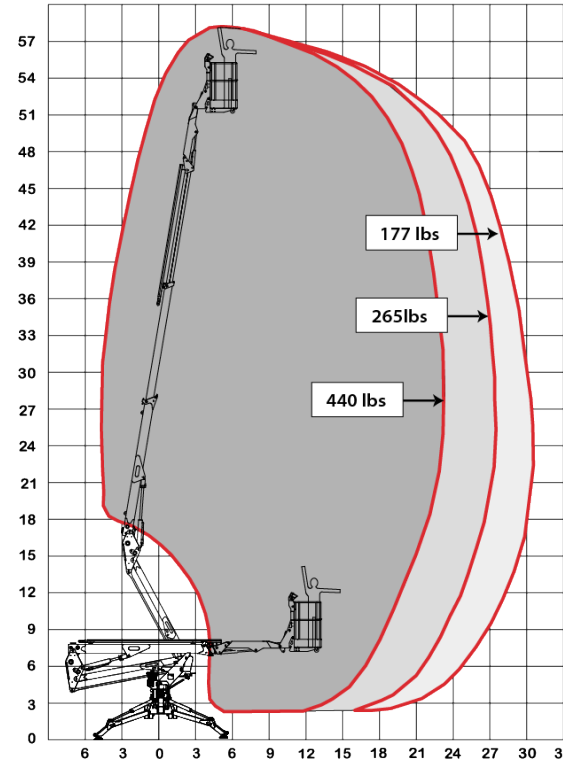


### SPECIFICATIONS

<b>Max. working height</b>	60'
<b>Max. outreach</b>	30'10" (177 lbs) / 27'1" (265 lbs) / 22'9" (440 lbs)
<b>Max. basket load</b>	440 lbs
<b>Basket size</b>	2'3" x 1'11" x 3'7" (1-man basket interior)
<b>Turret rotation</b>	+ / - 180°
<b>Traveling length</b>	16'5" (14'3" without basket)
<b>Traveling height</b>	6'6" (narrow mode) / 7'2" (wide mode)
<b>Traveling width</b>	31" (narrow mode) / 42" (wide mode)
<b>Outrigger Spread</b>	12'1" x 10'2"
<b>Battery</b>	110V Emergency Descent System
<b>Engine</b>	Honda Gasoline, 13 HP
<b>Total weight</b>	5,290 lbs
<b>Gradability, max. across slope</b>	31% (17°)
<b>Gradability, max. up and down slope</b>	29% (16°)
<b>Deployment ability on slopes up to</b>	31% (17°)

### DIAGRAMS

DATA AND DIMENSIONS ARE INDICATIVE AND NOT BINDING



### ADD-ON OPTIONS:

- White Rubber Non-Marking Tracks
- Custom Colors
- 2-man Basket
- Kubota Diesel
- Kubota Diesel + 24V Battery Hybrid
- Emergency 12V Hydraulic System
- Drive & Stabilization Radio Remote Control
- Lithium Ion Battery Pack
- 2 Speed Drive Motors
- Increased Size of Foot Plates (13.75" Diameter)
- Basket Rotation