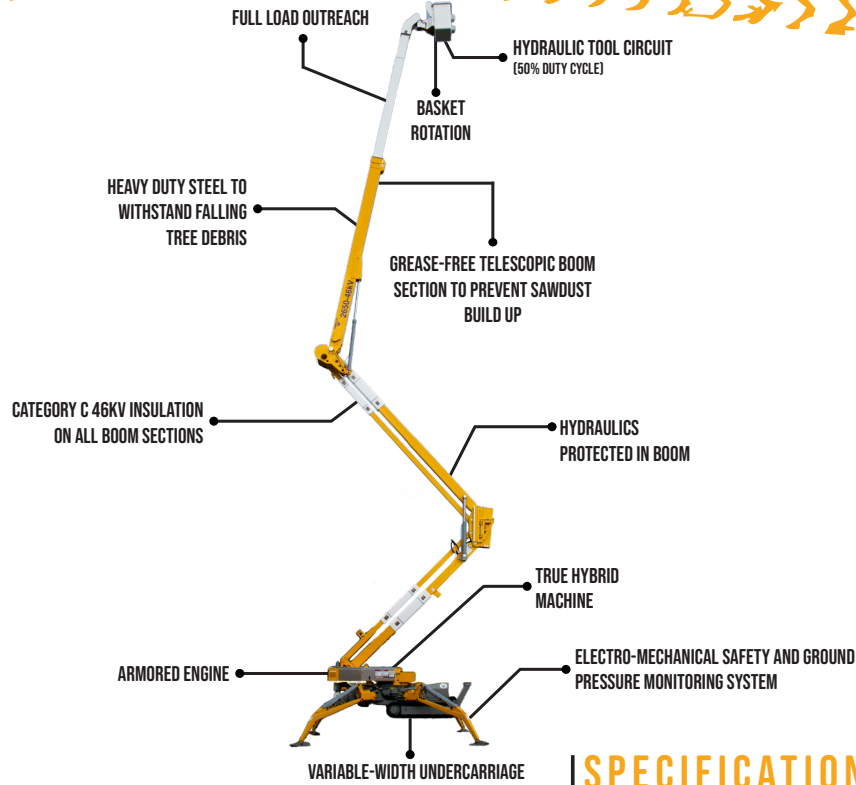


# OMMELIFT 2650 46KV

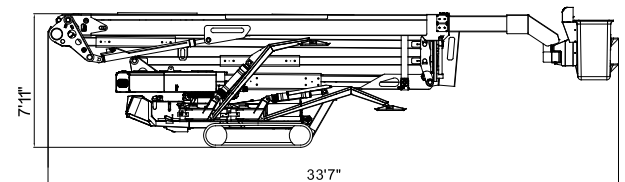
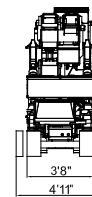
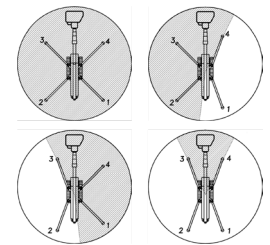
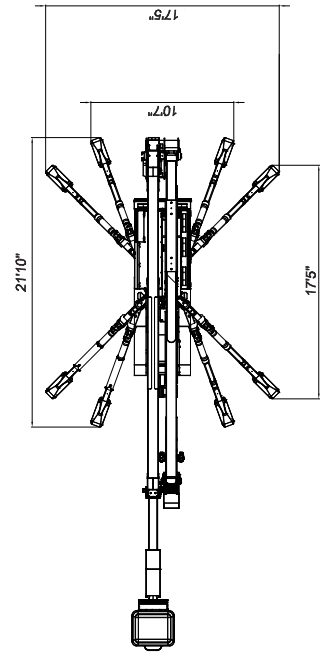
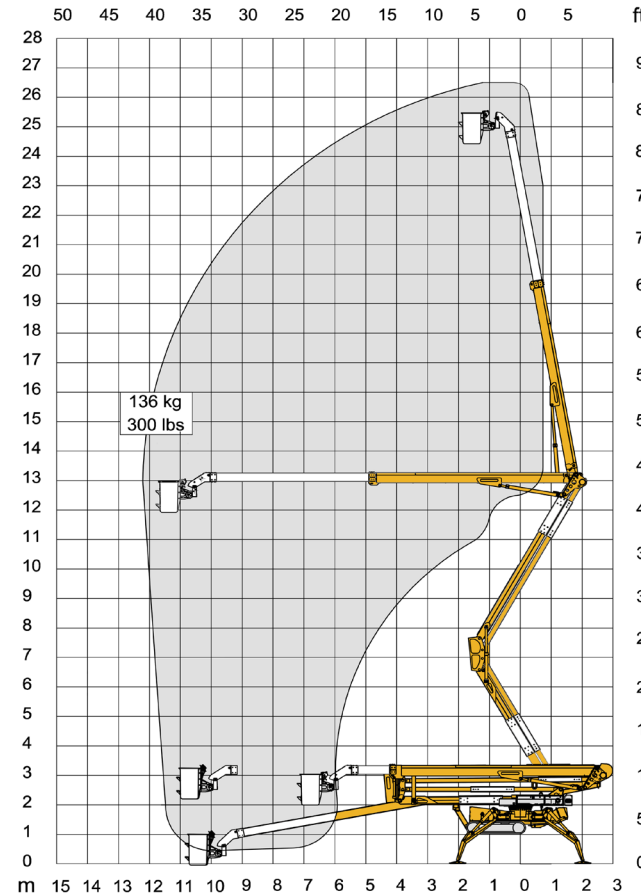
86' WORKING HEIGHT



## SPECIFICATIONS

Max. working height	86'
Max. outreach	40' 1" (at 300 lbs)
Max. basket load	300 lbs
Basket size	2'5" x 1'11" x 3'5" (1-man bucket interior)
Basket rotation	± 90°
Turret rotation	+ / - 355°
Traveling length	33'7"
Traveling height	7'11"
Traveling width	3'8" (narrow mode) / 4'11" (wide mode)
Outrigger Spread	17'5" x 17'5" wide position / 21'10" x 10'7" narrow position
Battery	24V / 200Ah / 5h
Charger	24V / 25A
Diesel engine	18.5kW/24.8hp
Total weight	13,400 lbs
Gradability, max. across slope	35% (19.3°)
Gradability, max. up and down slope	35% (19.3°) - approach angle 21% (12.0°)
Deployment ability on slopes up to	40% (21.8°)

## DIAGRAMS



## ADD-ON OPTIONS:

- White Rubber Non-Marking Tracks
- Custom Colors
- 24V 400Ah Deep Cycle Battery Pack