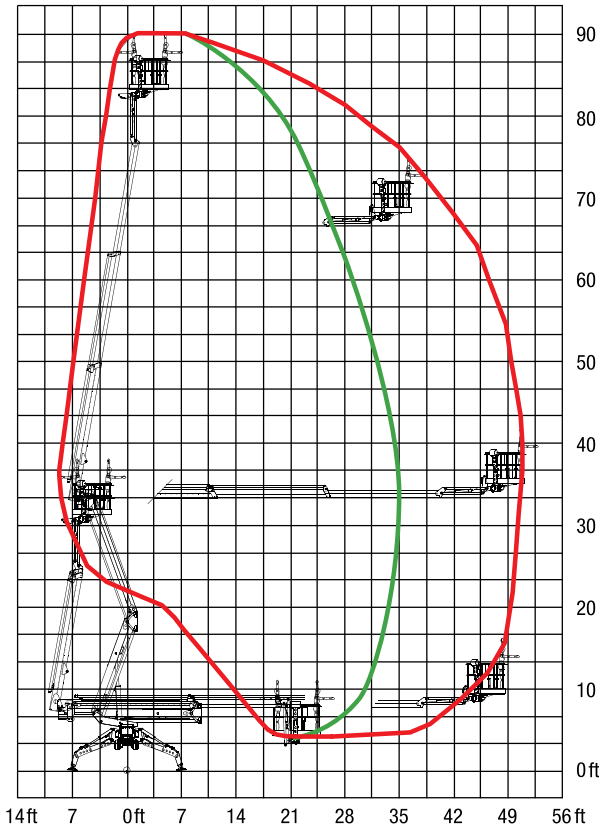
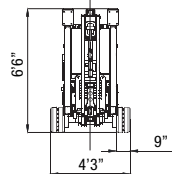
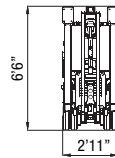
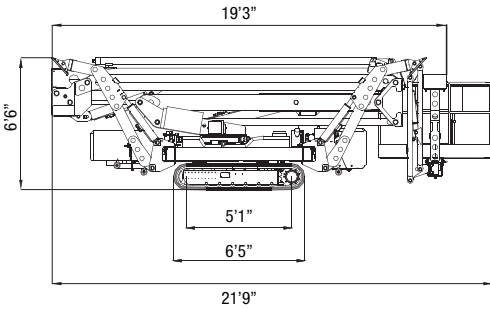
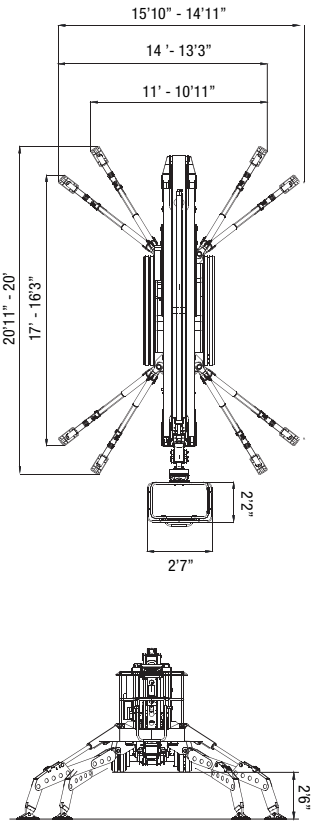


# Articulated

## TRACKED LIFTS 27.14 - 89' Arborist



- Maximum Side Reach Wide Outrigger Setting
- Maximum Side Reach Narrow Outrigger Setting



DATA DIMENSIONS AND FEATURES ARE INDICATIVE AND NOT BINDING.

[www.TrackedLifts.com](http://www.TrackedLifts.com) 1-866-543-8575

## TECHNICAL DATA 27.14 - 89' Arborist

Max Working height, ft	<b>89'</b>
Height to Basket Floor	82'4"
Side Reach	50'
Wide Outigger Setting	
Side Reach	35'
Narrow Outigger Setting	
1-man Basket Dimensions	2'7" x 2'2" x 3'7"
Length (Transport)	21'9"
Length (without Basket)	19'3"
Width (Min/Max)	2'11"/4'3"
Height Stowed	6'6"
Outrigger Spread (Min/Max)	10'10"/20'11"
Driving Speed	1.25 MPH
Gradeability (Uphill)	17°
Gradeability (Sideslope)	17°
Deployment Slope	17°
Max Capacity	507 lbs
Diesel Engine (Kubota)	22 HP
Emergency Battery System	12V
Total Weight of the Machine	11,500 lbs

### STANDARD FEATURES

- Kubota Diesel / 12V Emergency Power
- Electro-Mechanical Safety and Ground Pressure Monitoring System
- Automatic Sidereach Limiting
- Stabilizers/Booms Interblock (Outriggers Disabled once BoomIn Operation)
- Lock Valves on all the Actuators
- Articulated Boom with Fly Jib for Greater Versatility
- Basket Rotation  $\pm 90^\circ$
- 1-man Basket (Easily Removable)
- Variable-Width Undercarriage
- Variable Spread Outriggers
- Automatic Leveling
- Radio Remote Control
- Radio Remote Manual Override
- On-Board Diagnostics
- 110V Outlet in the Basket
- Boom Auto-Stowing

### OPTIONS

- Hybrid 24V Lithium Battery Pack
- 2-Man Basket 5'11" x 2'6"
- White Rubber Non-Marking Tracks
- Wind Gauge to Monitor Max Wind Speed
- Remote Diagnostics and Fleet Management
- Intercom
- Custom Colors
- Basket Light