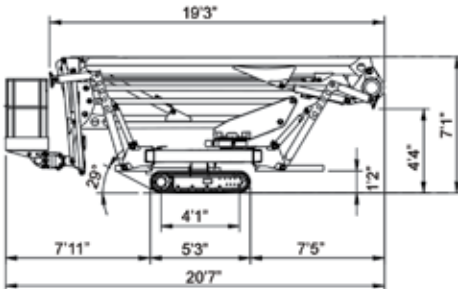
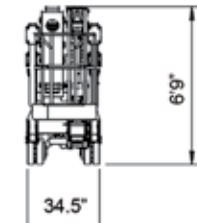
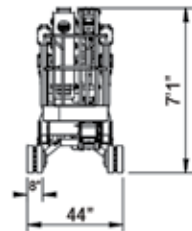
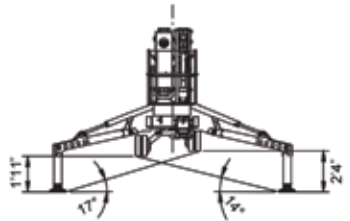
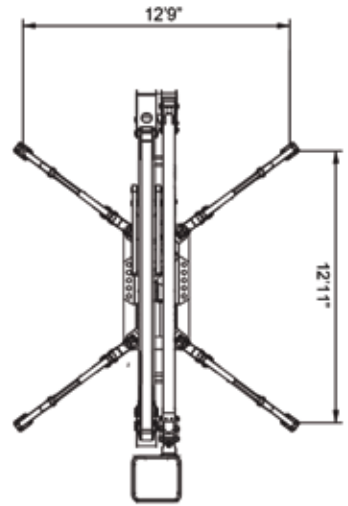
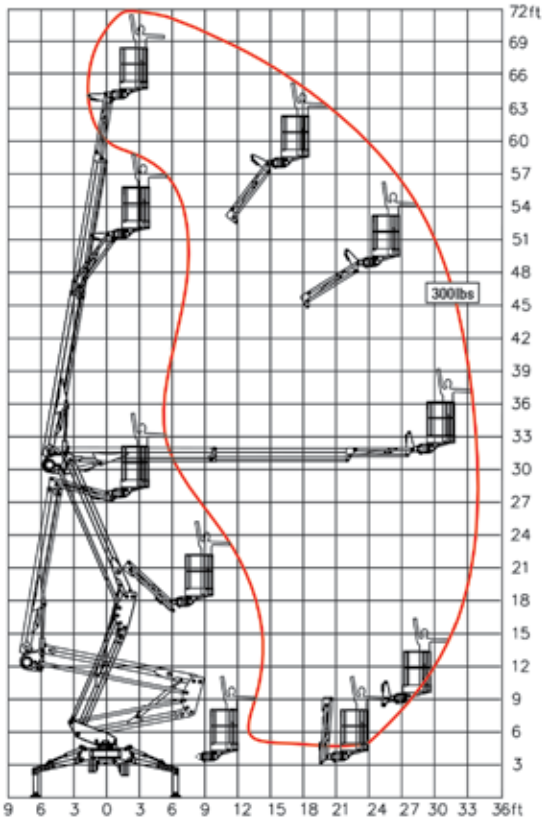


72' WH/34.5" Wide Arborist by Arborists



DATA DIMENSIONS AND FEATURES ARE INDICATIVE AND NOT BINDING.

www.TrackedLifts.com 1-866-543-8575

TECHNICAL DATA Arborist by Arborists

Max Working height, ft	72'
Height to Basket Floor	64'7"
Side Reach at 300 lbs	34'
Turret Rotation	365°
Basket Dimensions	2'7" x 2'2" x 3'7"
Length (Transport)	20'7"
Length (without Basket)	19'3"
Width (Min/Max)	34.5"/44"
Height Stowed (Min/Max)	6'9"/7'1"
Outrigger Spread	12'9" x 12'11"
Driving Speed	1.5 MPH
Gradeability (Uphill)	16°
Gradeability (Sideslope)	17°
Deployment Slope	17°
Max Capacity	300 lbs
Diesel Engine (Kubota)	15 HP
Total Weight of the Machine	6,900 lbs

STANDARD FEATURES

Kubota Diesel

Electro-Mechanical Safety and Ground Pressure Monitoring System

Variable-Width Undercarriage

Stabilizers/Booms Interblock (Outriggers Disabled once Boom In Operation)

Lock Valves on all the Actuators

Articulated Boom with Fly Jib for Greater Versatility

1-man Basket (Easily Removable)

110V Outlet in the Basket

Emergency Hand Pump

Hour Meter

Heavy Duty Shield Package

Black Rubber Tracks

Air-Water Outlet in the Basket

12V Electrical Emergency Decent System

OPTIONS

White Rubber Non-Marking Tracks
 Custom Colors