

2650 iRX



www.ommelift.com

Crawler lift - Articulated - 46kV

Dealer:

TRACKED LIFTS

Tracked Lifts LLC

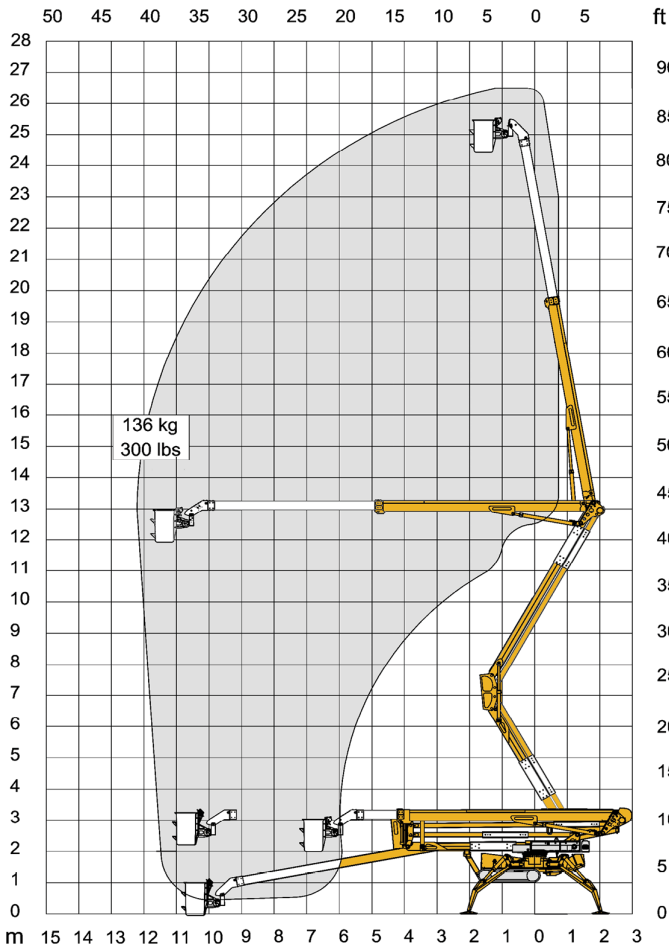
41 Lincoln Street
New Oxford, PA 17350, USA
+1 717 688 7192
info@trackedlifts.com
www.trackedlifts.com

OMMELIFT



Built to last - ask our users!

2650 iRX Crawler lift



Technical data:		2650-46kV iRXB	2650-46kV iRXBD
Category C (USA) 46kV fully insulated booms			
Max. working height		86'0"	
Max. platform height		79'4"	
Unrestricted side reach		40'1"	
Up and over clearance (max. height of knuckle)		42'7"	
Driving speed up to		1.43 mph	
Hydraulic tool circuit		Standard	
On-board power pack for tool circuit		Standard	
Turret rotation		± 355°	
Basket rotation		± 90°	
Max. basket load		300 lbs	
Basket size		2'7" x 2'2"	
Stabilizer pad size		9" x 17"	
	⁶ Diesel	BATTERY	⁶HYBRID
Engine			18.5kW/24.8hp
Fuel tank capacity			6 gal.
Generator			24 V / 22 A
Battery pack		24V/400Ah/5h	24V/200Ah/5h
Charger		24 V / 25 A	24 V / 25 A
Double charger system (230V only)		Optional	Optional
Elec. descent from ground controls		Standard	Standard
See www.ommelift.com for more features and options			
Gradeability, max. across slope		¹ Wide 35% (19.3°)	
Gradeability, max. up/down slope		35% (19.3°) - approach angle 21% (12.0°)	
Set-up ability on uneven ground		40% (21.8°)	
Crawler track length		6'2"	
	¹ Undercarriage in Wide	² Undercarriage in Narrow	³ Wide set-up ⁴ Wide/Narrow set-up
Total weight		13394 lbs	13394 lbs
¹ Live load in transit position		113.1 psf	113.1 psf
² Live load in transit position		135.6 psf	135.6 psf
³ Live load in working position		60.4 psf	60.4 psf
⁴ Live load in working position		74.6 psf	74.6 psf
Ground pressure, tracks (Hard surface)		13.3 psi (41.3 psi)	13.3 psi (41.3 psi)
Ground pressure, outrigger pad		43.6 psi	43.6 psi
Max. force, outrigger		6969 lbf	6969 lbf

